



- Sub miniature
- Up to 2 x 25A SPST-NO-DM
- For flasher indicators, hazard warning
- Cost effective

RoHS
Compliant ✓

Contacts

Contact arrangement	SPST-NO-DM (1 Form U)
Contact material	AgNi0.15, AgSnOInO
Max. switching voltage	DC 16VDC (consult factory for 24VDC)
Min. switching current / voltage	100mA/5VDC
Rated load	DC1 2 x 15A
Max. continuous current	DC1 2 x 15A (2 mins)
Max. switching current ² (AgSnOInO)	make 2 x 25A (Lamp load inrush)
	break 2 x 6A
Initial contact resistance	≤100mΩ, max. at 0.1A, 6VDC

Coil

Rated voltage	DC 6V...24V
Must release voltage	See table 1
Operating range	See table 1
Rated power consumption	DC 1W

Insulation

Insulation resistance	100MΩ at 500VDC, 50%RH
Dielectric strength	coil to contact 500Vrms, 1min
	contact to contact 500Vrms, 1min

General Data

Operating time	typ.	10ms
Release time	typ.	5ms
Electrical Life ³	ops.	1 x 10 ⁵
Mechanical life	ops.	1 x 10 ⁷

Environmental

Ambient temperature	operating	-40 to +85°C
	storage	-40 to +100°C
Shock resistance	functional	10g, 11ms
	destructive	100g
Vibration resistance		DA 1.5mm 10-55Hz
Dimensions	L x W x H	15.7 x 12.3 x 13.8mm (excluding terminal pins)
Weight	approx.	6g

Ordering Code

D G 8 1 B - 7 0 8 U - 3 5 - 1 0 1 2

Series

Contact material
20: AgNi 90/10
70: AgSnOInO

Contact arrangement
8U: SPST-NO-DM

Environmental protection
2: In cover, flux tight - IP40
3: In cover, sealed - IP67

Mounting & terminations
5: PCB Mounting

Coil code:
See table 1

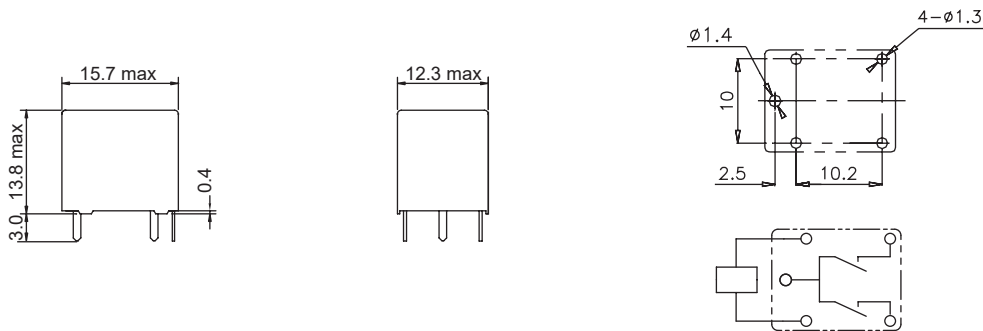
Coil Data

Table 1

Coil code	Nominal voltage (VDC)	Coil resistance (Ω) ±10%	Must operate voltage max. (VDC)	Must release voltage min. (VDC)
1006	6	36	3.5	0.5
1009	9	81	5.2	0.7
1010	10	100	5.8	0.8
1012	12	144	6.9	1.0
1024	24	576	14.0	1.9

Overall Dimensions mm, PCB Mounting Holes & Wiring Diagram

Fig. 1



Notes:

- 1) All parameters, unless otherwise specified, are measured at an ambient temperature of 23°C.
- 2) Maximum make current refers to inrush current of lamp load.
- 3) Electrical life obtained at lamp load, at resistive load 2 x 6A, 14VDC with operating frequency of 6 ops/min.
- 4) Electrical life is strongly dependent of switching frequency, ON/Off ratio, environmental conditions and load type.