



- Vehicle indicator relay
- Stable electronic timing
- Wide operating voltage & temperature range
- Long life
- Standard plug in replacement
- With ticking sound

ROHS Compliant

### Contacts

Contact arrangement	SPST-NO (1 Form A)
Contact material	AgSnO <sub>2</sub>
Rated current	DC 12.5A / 12VDC
Max. switching voltage	15VDC
Rated load	0.1W ~ 150W (0.02A~ 12.5A)
Minimum load	0.1W
Operating voltage	11 ~ 15VDC, 22 ~ 30 VDC
Max. current	20A
Max. power	150W

### Coil

Nominal Voltage	12VDC, 24VDC
-----------------	--------------

### General Data

Flashing frequency	90 ± 10% per minute
Duty ratio	30% ~ 70%
Electrical life	400 Working hours
Dimensions	L x W x H 30.5 x 30.5 x 39mm
Weight	30g
Ambient temperature	operating -40 to +80°C
	storage -40 to +80°C

Note: All parameters, unless otherwise specified, are measured at ambient temperature of 20°C ± 2°C

### Ordering Code

D G 4 3 A - 3 0 2 1 - 7 6 - 1 0 1 2

#### Series

#### Contact material

30: AgSnO<sub>2</sub>

#### Contact arrangement

21: SPST-NO (1 NO, 1 Form A)

#### Cover protection category

7: In cover, dust cover - IP50

#### Connection Mode

6: Flat blades

#### Coil voltage code

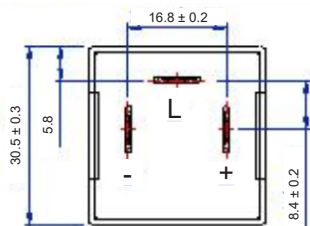
1012: 12VDC

1024: 24VDC

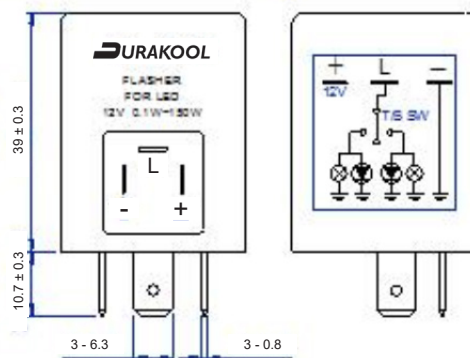
### Dimensions

Fig 1

#### Bottom view



Dimensions mm



#### Wiring diagram (Bottom view)

